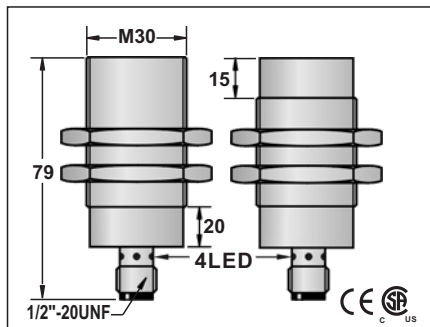


AC INDUCTIVE PROXIMITY SWITCH CONNECTOR TYPE

M 30	
●	○
10 mm	15 mm
stainless steel or nickel plated brass	
●	

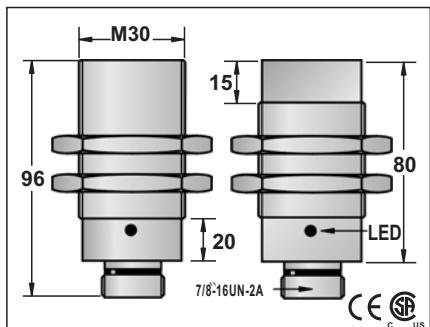


20-250VAC
-
<1.8mA
400mA
<1.8mA
5A(20ms)
5mA
<8VAC AT 400MA
<25HZ
10ms/10ms
<15%(Sr)
<1.0%(Sr)
IP67
-25°C - +70°C
<10%(Sr)
NO
-
-
RFI>3V/m / EFT>1KV / ESD>4KV (contact)
IEC 60947-5-2,Part 7.4.1 / IEC 60947-5-2,Part 7.4.2
PBT

FCM1-3010A-AUL3	56	FCM2-3015A-AUL3
FCM1-3010A-BUL3	56	FCM2-3015A-BUL3
FCM1-3010A-CUL5	60	FCM2-3015A-CUL5

Approx.147 g		Approx.137 g	
--------------	--	--------------	--

M 30	
●	○
10 mm	15 mm
stainless steel or nickel plated brass	
●	

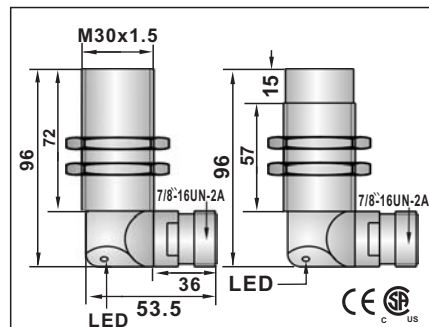


20-250VAC
-
<1.8mA
400mA
<1.8mA
5A(20ms)
5mA
<8VAC AT 400MA
<25HZ
10ms/10ms
<15%(Sr)
<1.0%(Sr)
IP67
-25°C - +70°C
<10%(Sr)
NO
-
-
RFI>3V/m / EFT>1KV / ESD>4KV (contact)
IEC 60947-5-2,Part 7.4.1 / IEC 60947-5-2,Part 7.4.2
PBT

FCM1-3010A-AZL3	65	FCM2-3015A-AZL3
FCM1-3010A-BZL3	65	FCM2-3015A-BZL3
FCM1-3010A-CZL5	67	FCM2-3015A-CZL5

Approx.187 g		Approx.179 g	
--------------	--	--------------	--

M 30	
●	○
10 mm	15 mm
stainless steel or nickel plated brass	
●	



20-250VAC
-
<1.8mA
400mA
<1.8mA
5A(20ms)
5mA
<8VAC AT 400MA
<25HZ
10ms/10ms
<15%(Sr)
<1.0%(Sr)
IP67
-25°C - +70°C
<10%(Sr)
NO
-
-
RFI>3V/m / EFT>1KV / ESD>4KV (contact)
IEC 60947-5-2,Part 7.4.1 / IEC 60947-5-2,Part 7.4.2
PBT

FCM1-3010A-AZL3Y	65	FCM2-3015A-AZL3Y
FCM1-3010A-BZL3Y	65	FCM2-3015A-BZL3Y
FCM1-3010A-CZL5Y	67	FCM2-3015A-CZL5Y

FCM*-*****-*Z**Y			
Z = 7/8"-16UN2A			
U = 1/2"-20UNF			
Approx.311 g		Approx.356 g	

Note:
Coming Soon : Part numbers with underline